

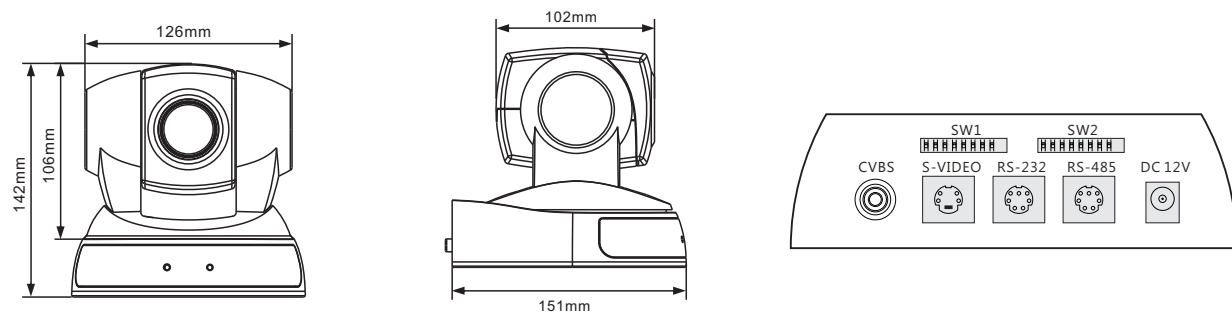
SD PTZ Camera



Features

- Sony FCB-EX48E(P) module supported;
- Has image flip function;
- Pan: 360° continuous, Tilt: -30°~90°with auto flip;
- 64 presets;
- RS485/RS422 & RS232 communication interface;
- Support standard VISCA & Pelco communication protocols;
- With remote controller.

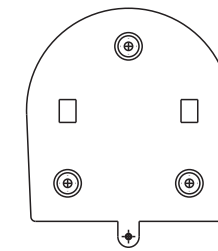
Dimensions



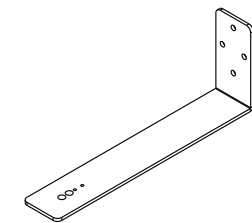
Technical Data

Model	IS-SC1802E
Signal Format	PAL/NTSC
Image Sensor	1/4" Exmor SONY EX-view HAD CCD
Horizontal Resolution	550TVL
Effective Pixels	PAL: 440,000 pixel / NTSC: 380,000 pixel
Zoom	Optical: 18X; Digital: 12X
Lens	f=4.1-73.8mm, F=1.4 - F3.0
Illumination	0.4Lux
Synchronization	Internal Synchronization
S/N Ratio	≥50dB
BLC	On/Off
White Balance	Auto/Manual
Pan & Tilt	
Pan Range	0° ~ 360°
Tilt Range	-30° ~ +90°
Pan Speed	0.5° ~ 70°/s
Tilt Speed	0.5° ~ 50°/s
Preset Number	64
Auto Cruise	Yes
Interface	
Video Output	RCA, S-video
Control Interface	RS485/422, RS232
General	
Control Protocol	PELCO-D, PELCO-P, VISCA
Baud Rate(RS485/422)	1200bps/2400bps/4800bps/9600bps/19200bps
Address	0~255
Remote Control	Yes
Work Temperature	0°C~+50°C
Storage Temperature	-20°C~+70°C
Humidity	≤95% (no condensation)
Power Supply	DC12V
Power Consumption	<10W
Dimension	151mm * 137mm * 142mm
Net Weight	1.2KG
Body Color	Black

Accessories



Ceiling Plate



Wall Bracket