

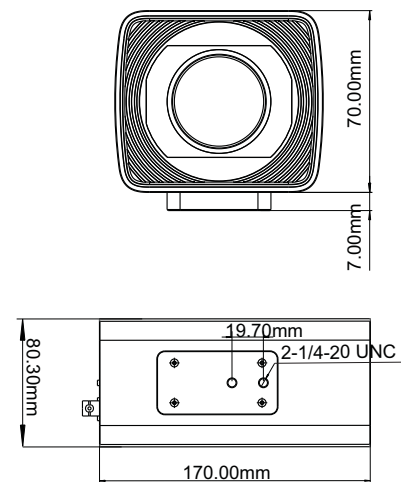
ZC4 Series IP+SDI Integrated Camera



Features

- H.265 video compression, dual stream;
- 2.14MP, 1/2.8" CMOS;
- Support various HD video formats;
- Has 3G-SDI output interface;
- 20x optical zoom, 12x digital zoom;
- With OSD menu;
- With RS485 & RS232 control interfaces;
- Has image flip function;
- Has 5 buttons at back panel for easy configuration.

Dimensions



Technical Data

Model	ZC4-A2001N
Image Sensor	1/2.8" Exmor CMOS, 2.14MP
HD Signal Format	1080p/60, 1080p/50, 1080p/30, 1080p/25, 1080i/60, 1080i/50, 720p/60, 720p/50, 720p/30, 720p/25
Focal	f=4.7 - 94.0mm
Iris	F=1.6 - F3.5
Optical Zoom	20X
Digital Zoom	12X
Min. Illumination	0.5Lux (Color), 0.1Lux (B/W)
WDR	Yes
Field of View	59.5° - 2.9°
Focus	Auto, Manual, One Push
Shutter Speed	1/1 ~ 1/10,000s
AGC	Auto / Manual
White Balance	Auto, Indoor, Outdoor, One Push, Manual, Auto Track
AE Control	Auto, Manual, Shutter Priority, Iris Priority
BLC	Yes
S/N Ratio	≥50dB
Noise Reduction	2D/3D
Preset Number	256
OSD	Yes
Image Flip	Yes
Network	
Max. Image Size	1920 x 1080
Frame Rate	HD: 50Hz: 50fps(1920×1080) 60Hz: 60fps(1920×1080)
Video Compression	H.265, H.264
Audio Compression	AAC
Protocol	HTTP, RTP, TCP, UDP, ONVIF, RTSP, RTMP
Dual Stream	Support
Simultaneous Users	Up to 10 Users
Interface	
Ethernet	RJ45, 100M
Video Output	3G-SDI
Control Interface	RS485, RS232
General	
Control Protocol	VISCA, PELCO-D, PELCO-P
Address	1~7(VISCA), 0~255(PELCO-D / PELCO-P)
Power Supply	DC12V
Power Consumption	<15W
Work Temperature	0°C~+40°C
Storage Temperature	-20°C~+60°C
Dimension	170mm × 80mm × 70mm
Net Weight	0.83KG
Body Color	Grey