

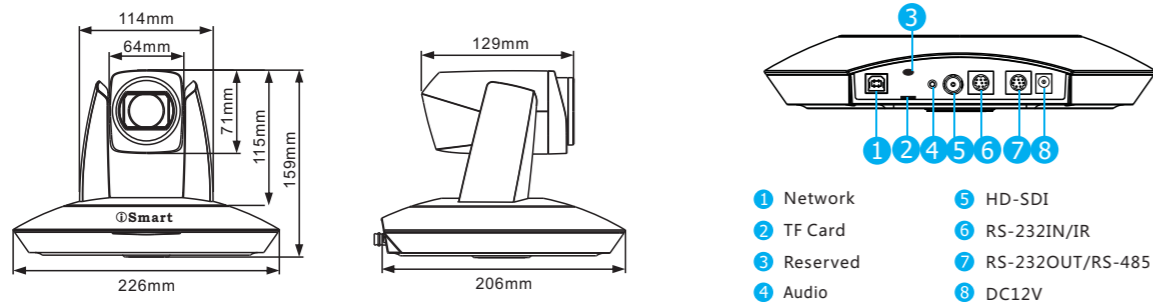
## AMC Series IP+SDI HD PTZ Camera



### Features

- H.265 video compression, dual stream;
- Compatible with ONVIF, RTSP, RTMP protocols;
- 2.14MP, 1/2.8" CMOS;
- Support up to 1080p60 and other video formats via SDI interface;
- With OSD menu;
- With HD-SDI interface;
- 1 audio input and 1 audio output;
- New design of PTZ mechanism with higher precision and reliability, presetting precision up to  $\pm 0.01$  degree;
- Support standard VISCA & Pelco communication protocols;
- With IR remote controller;
- Has image flip function for stand and suspended installation;
- Desktop, ceiling, wall and pendant mounting options.

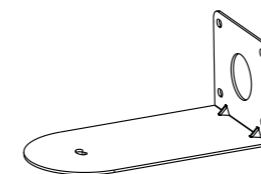
### Dimensions



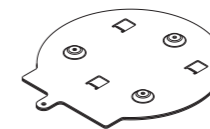
### Technical Data

| Model                   | AMC-A2001N   | AMC-A1202N         |
|-------------------------|--|--------------------|
| Image Sensor            | 1/2.8" Exmor CMOS, 2.14MP  |                    |
| HD-SDI Signal Format    | 1080p/60, 1080p/30, 1080i/60, 720p/60, 720p/30<br>1080p/50, 1080p/25, 1080i/50, 720p/50, 720p/25 |                    |
| Focal                   | f=4.7mm - 94.0mm   | f=3.9 mm - 46.8 mm |
| Iris                    | F1.6 - F3.5  | F1.6 - F2.8        |
| Optical Zoom            | 20X  | 12X                |
| Digital Zoom            | 12X  |                    |
| Shortest Focus Distance | 10mm-1.000mm   |                    |
| Field of View           | 59.5° - 2.9°   | 72.5° - 6.3°       |
| Focus                   | Auto, Manual, PTZ Trigger AF, One Push   |                    |
| Minimum Illumination    | 0.5Lux (Color), 0.1Lux (B/W)   |                    |
| Shutter Speed           | 1/1 ~ 1/10,000s  |                    |
| AGC                     | Auto / Manual  |                    |
| White Balance           | Auto, Indoor, Outdoor, One Push, Manual, Auto Track  |                    |
| AE Control              | Auto, Manual, Shutter Priority, Iris Priority  |                    |
| S/N Ratio               | $\geq 50$ dB   |                    |
| <b>Pan &amp; Tilt</b>   |  |                    |
| Pan Range               | -170° ~ +170°  |                    |
| Tilt Range              | -30° ~ +90°  |                    |
| Pan Speed               | 0.1° ~ 120°/s  |                    |
| Tilt Speed              | 0.1° ~ 90°/s   |                    |
| Preset Number           | 256  |                    |
| OSD                     | Yes  |                    |
| Image Flip              | Yes  |                    |
| <b>Network</b>          |  |                    |
| Max. Image Size         | 1920 x 1080  |                    |
| Frame Rate              | HD: 50Hz: 50fps(1920x1080)<br>60Hz: 60fps(1920x1080)   |                    |
| Video Compression       | H.265, H.264   |                    |
| Audio Compression       | AAC  |                    |
| Protocol                | HTTP, RTP, TCP, UDP, RTSP, RTMP, ONVIF   |                    |
| Dual Stream             | Support  |                    |
| Simultaneous Users      | Up to 10 users   |                    |
| <b>Interface</b>        |  |                    |
| Ethernet                | RJ45, 100M   |                    |
| Video Output(HD)        | HD-SDI   |                    |
| Control Interface       | RS-232IN/IR, RS-232OUT/RS-485  |                    |
| <b>General</b>          |  |                    |
| Control Protocol        | VISCA and Support Daisy Chain, PELCO-P, PELCO-D  |                    |
| Address                 | 0~63   |                    |
| Power Supply            | DC12V  |                    |
| Power Consumption       | < 15W  |                    |
| Working Temperature     | 0°C~+40°C  |                    |
| Storage Temperature     | -20°C~+60°C  |                    |
| Dimension               | 226mm x 159mm x 206mm  |                    |
| Weight                  | 1.7KG  |                    |
| Body Color              | Grey   |                    |

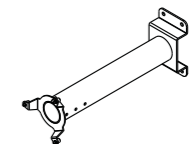
### Accessories



Wall Bracket



Ceiling Plate



Pole Bracket